

MDR SPUR CURVE

Series 1500 Conveyor Module

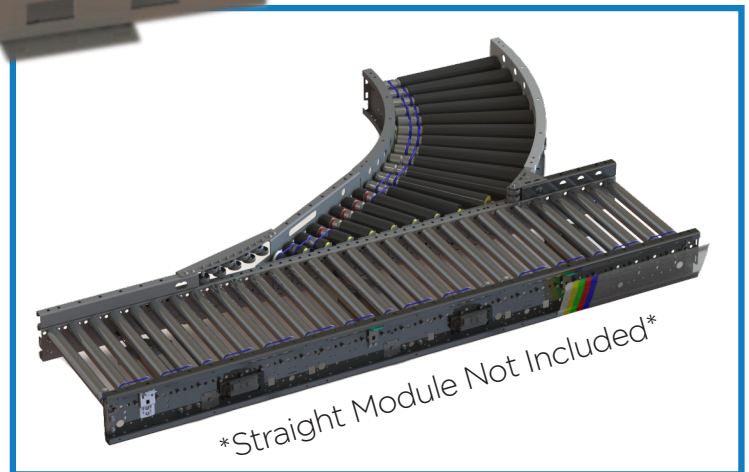
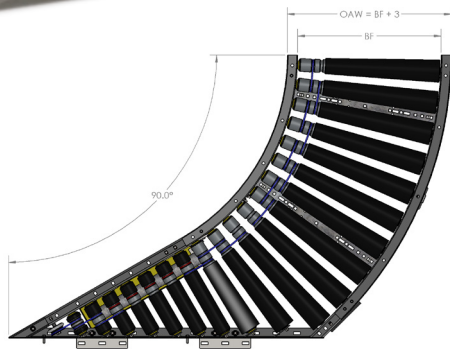
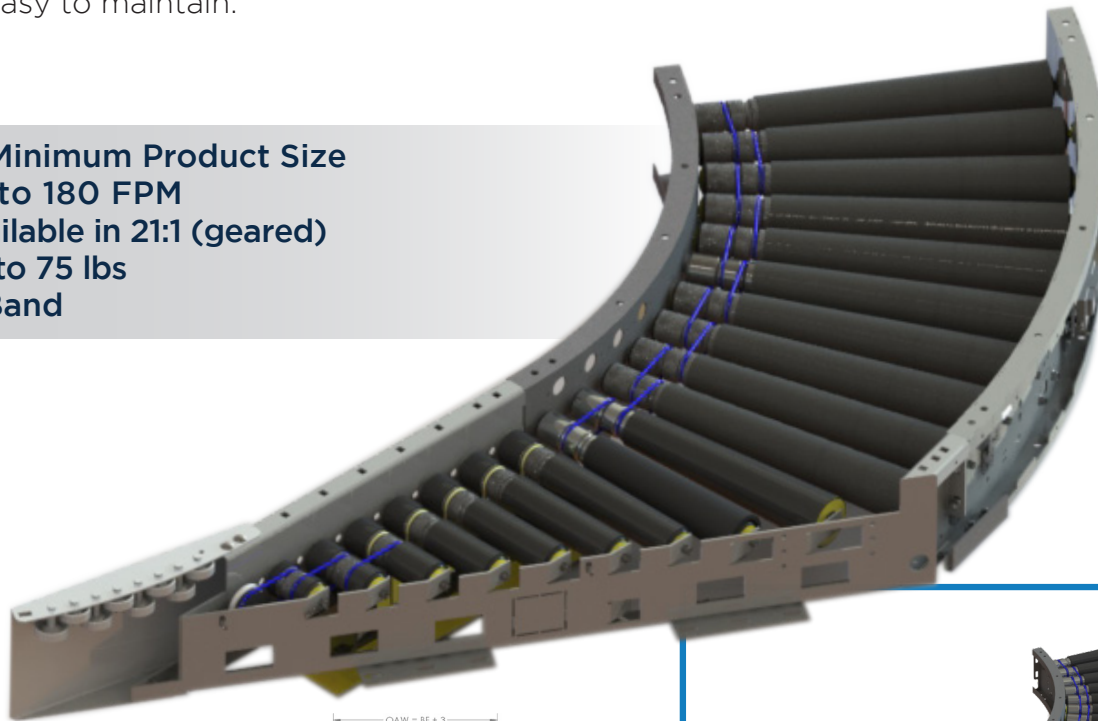
Controls Platform: G20 Full Control

POWERED BY

TREW[®]

MDR spur curve modules deliver a convenient solution for consolidation applications and have a 90° spur for tighter footprints. Pre-mounted in-frame photo eyes are prewired and protected from product. No pneumatics required. The all 24VDC electric operation ensures a consistent and quiet system that is easy to maintain.

- 8" Minimum Product Size
- Up to 180 FPM
- Available in 21:1 (geared)
- Up to 75 lbs
- O-Band



KEY FEATURES AND BENEFITS

- Merge any line that is perpendicular to the trunk line
- Light to medium weight applications up to 75 lbs
- Resilient and durable construction. Perfect for distribution, warehouse, process lines and postal applications
- Tool-less mounting brackets for all electrical components
- Electrical components have quick connect terminals for easy installations and expansion
- Using durable, high tension 5/16 O-bands
- Available ZPA Analyzer allows for system diagnostic and commissioning
- IP54 Standard

MDR SPUR CURVE

MERGE MODULE - Series 1500

| SERIES 1500 CONVEYOR - MDR SPUR CURVE, RSL | | | | | | | | |
|--|-----------------------|-------|--------------|-------------|---------------------------|------|---------|-------|
| Part # | Width (BF) | Merge | Side Channel | Roller C-C" | MDR Type | Hand | Control | Color |
| TR15128 (15 BF) | 15, 21, 27, 33, 36 | LH | RSL | 3" | EC5000 <i>(geared)</i> | LH | FULL | F9022 |
| TR15130 (21 BF) | | RH | | | | RH | | F7035 |
| TR15131 (27 BF) | | | | | | | | |

Engineer to order options include: Flex control, additional BFs, additional zone lengths, additional MDRs & gear ratios, gap rollers, tight radius, custom rail color. Additional options may be available upon request. Contact Trew Engineering for further information.